

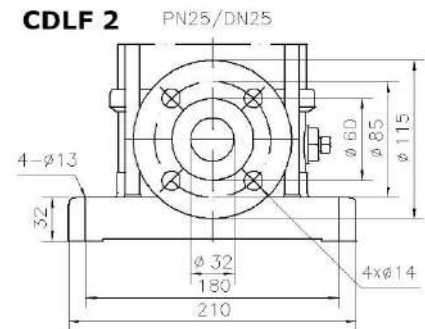
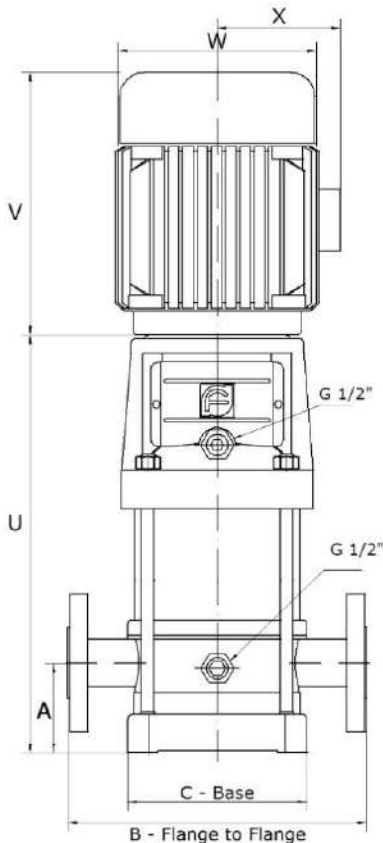
CDLF2 50Hz 2900rpm

Model		Item Code	P2 Shaft kW	Input Voltage	Full Load Current	Cap uF	Inlet / Outlet	Max Flow	Max Head
CNP CDLF 2-9	M	600144	1.1	1ph 240V	6.38A	30	PN25 / DN25	58lpm	88m
CNP CDLF 2-13	M	600143	1.5		8.08A				
CNP CDLF 2-18	M	701200	2.2		12.0A	40			Dia 32
CNP CDLF 2-18	T	701201		3Ph 415V Λ	4.25A	3Ph 240V Δ	175m		

Construction materials

Pump base and Motor support	Cast Iron
Motor coupling	Carbon Steel
Shaft support bearings	Tungsten Carbide
Mechanical seal	Silicon Carbide/Carbon/EPDM
Suction and discharge casing, Pump shaft, Outer sleeve, Impeller sleeve, Impellers	304 S/S

Liquid temp: -15° to 70°C Max Ambient temp: 1Ph 45°C 3Ph 40°C Insulation Class F IP55
Max pump pressure: 25 bar

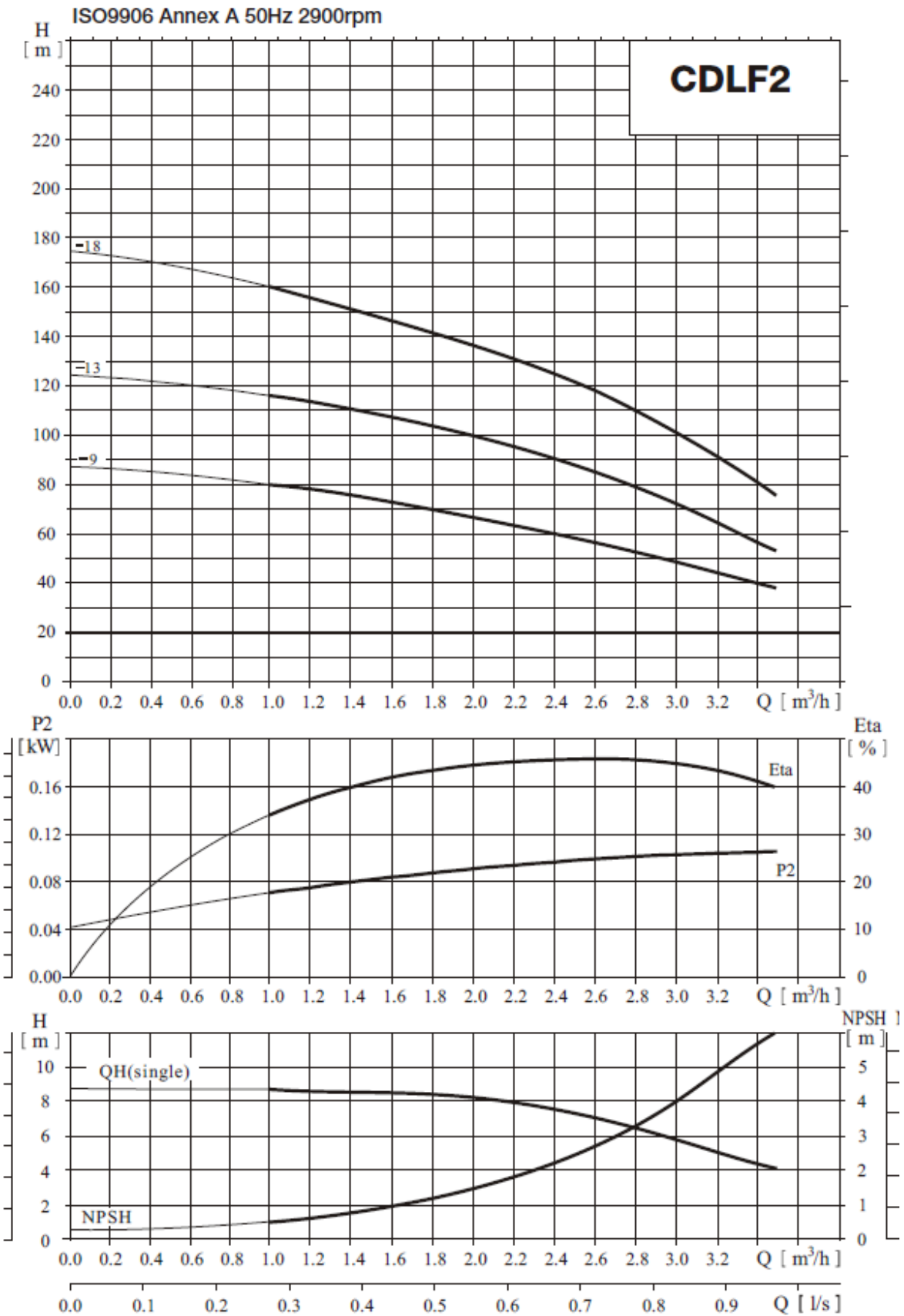


	U	V	W	X
CNP CDLF 2-9	369	245	170	142
CNP CDLF 2-13	476	290	190	155
CNP CDLF 2-18	566	290	190	155

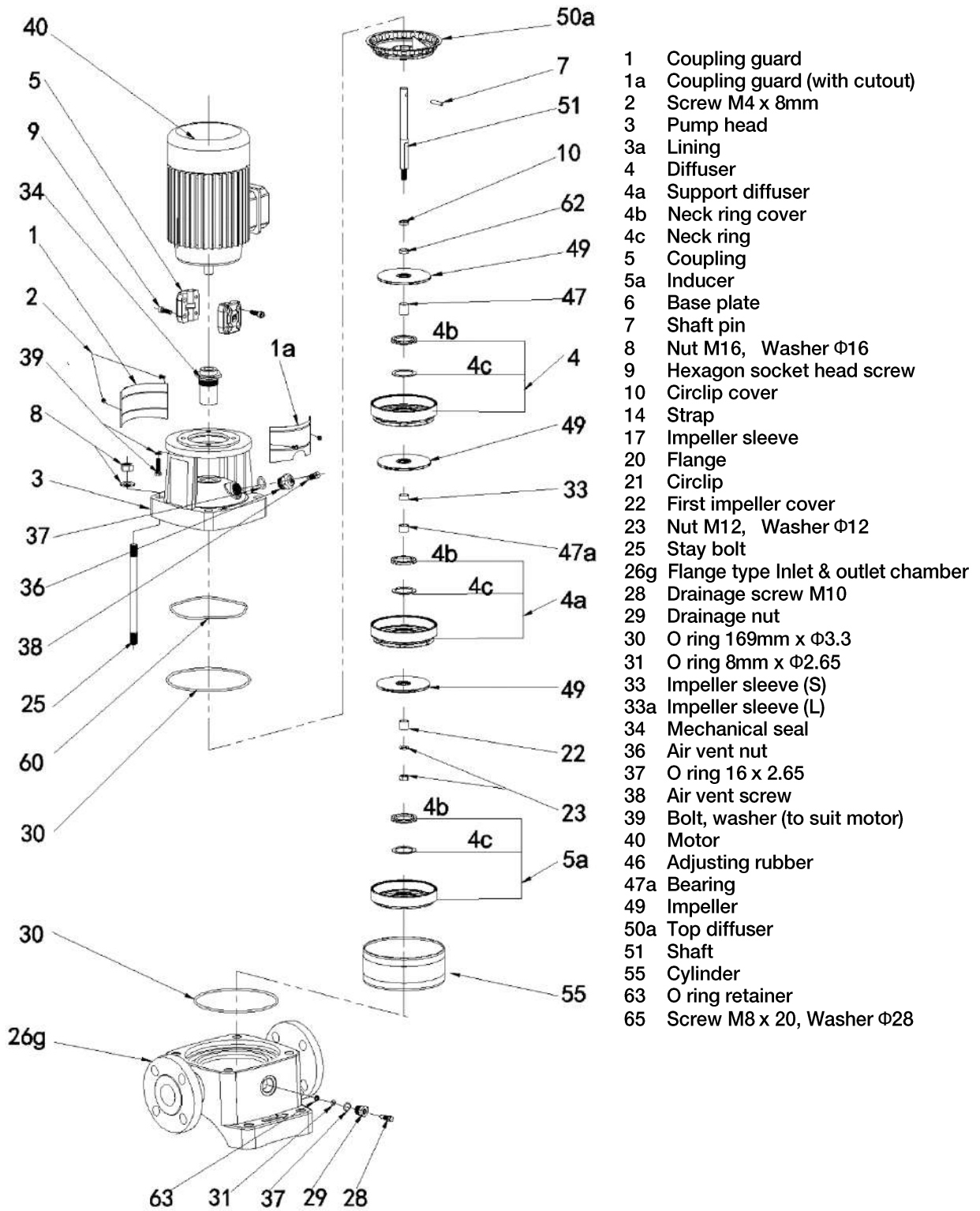
Note: Motor Dimensions may vary

Model	Footing	Flange	Centre Height A	Flange to Flange B	Base Length C	Base Width D
CNP CDLF 2 - 9	180 W	Ø115	75mm	250mm	150mm	210mm
CNP CDLF 2 - 13	X	4 x Ø18				
CNP CDLF 2 - 18	100 L	100 PCD				
	4 x Ø13mm					

CDLF2 50Hz 2900rpm



CDLF2 50Hz 2900rpm



- 1 Coupling guard
- 1a Coupling guard (with cutout)
- 2 Screw M4 x 8mm
- 3 Pump head
- 3a Lining
- 4 Diffuser
- 4a Support diffuser
- 4b Neck ring cover
- 4c Neck ring
- 5 Coupling
- 5a Inducer
- 6 Base plate
- 7 Shaft pin
- 8 Nut M16, Washer Φ 16
- 9 Hexagon socket head screw
- 10 Circlip cover
- 14 Strap
- 17 Impeller sleeve
- 20 Flange
- 21 Circlip
- 22 First impeller cover
- 23 Nut M12, Washer Φ 12
- 25 Stay bolt
- 26g Flange type Inlet & outlet chamber
- 28 Drainage screw M10
- 29 Drainage nut
- 30 O ring 169mm x Φ 3.3
- 31 O ring 8mm x Φ 2.65
- 33 Impeller sleeve (S)
- 33a Impeller sleeve (L)
- 34 Mechanical seal
- 36 Air vent nut
- 37 O ring 16 x 2.65
- 38 Air vent screw
- 39 Bolt, washer (to suit motor)
- 40 Motor
- 46 Adjusting rubber
- 47a Bearing
- 49 Impeller
- 50a Top diffuser
- 51 Shaft
- 55 Cylinder
- 63 O ring retainer
- 65 Screw M8 x 20, Washer Φ 28